

United States Patent Office

Des. 221,761
Patented Sept. 7, 1971

221,761

ANDIRON

Judkins E. Wilkinson, Birmingham, Ala., assignor to
Atlanta Stove Works, Inc.

Filed Nov. 28, 1969, Ser. No. 20,312

Term of patent 14 years

Int. Cl. D23—03

U.S. Cl. D23—102

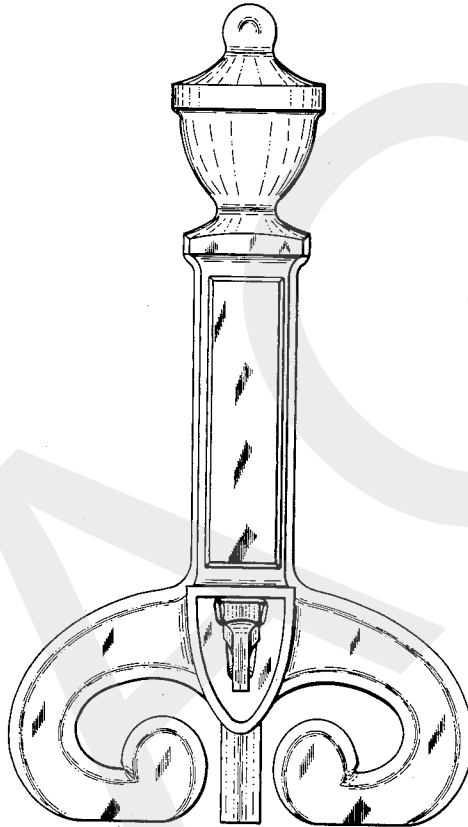


FIG. 1

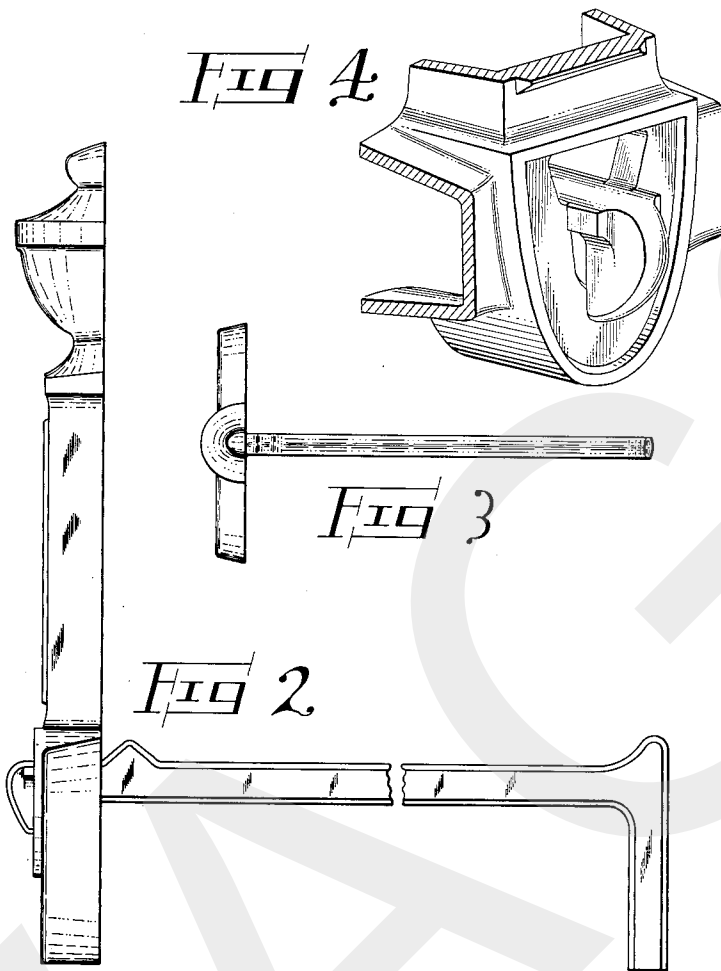


FIG. 1 is a front elevational view of an andiron showing my new design;

FIG. 2 is a side elevational view thereof, being broken away for convenience of illustration;

FIG. 3 is a top plan view thereof, drawn to a smaller scale; and

FIG. 4 is an enlarged, front perspective view thereof, being fragmentary shown for convenience of illustration.

I claim:

The ornamental design for an andiron, as shown.

References Cited

UNITED STATES PATENTS

D. 6,142	9/1872	Fogelstrand	D23—102
D. 92,666	7/1934	Lovejoy	D23—102

FOREIGN PATENTS

122,133	1/1878	France	126—298
---------	--------	--------	-------	---------

WALLACE R. BURKE, Primary Examiner

S. J. MERCER, Assistant Examiner