

206,738

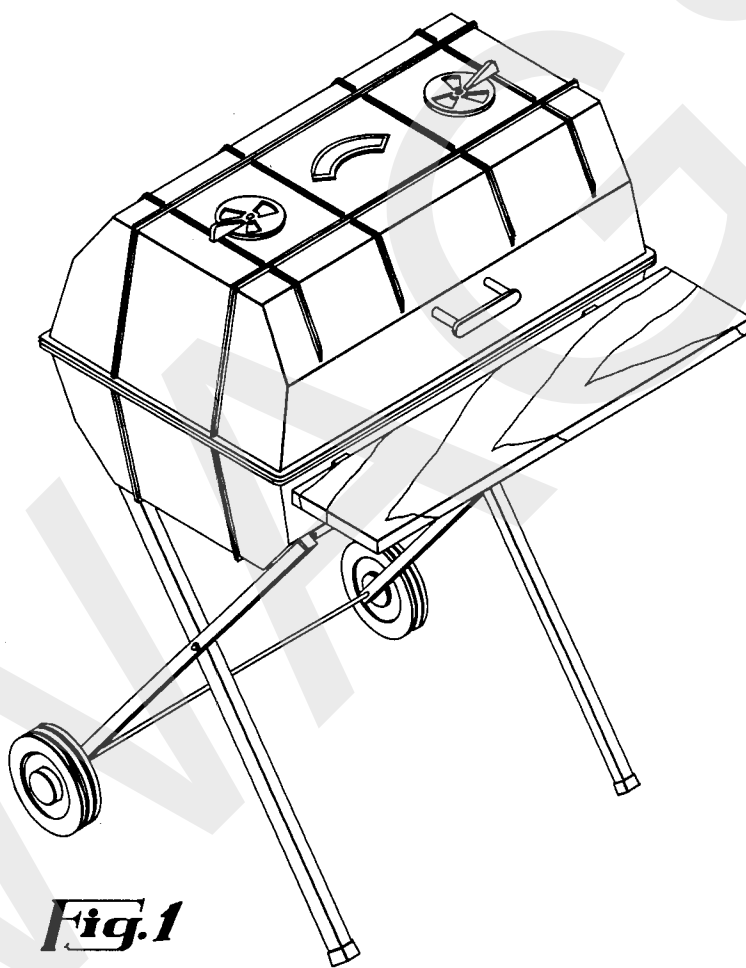
OUTDOOR COOKER

Judkins E. Wilkinson, Birmingham, Ala., assignor to
Atlanta Stove Works, Inc., a corporation of Georgia

Filed May 11, 1966, Ser. No. 2,254

Term of patent 14 years

(Cl. D81-10)



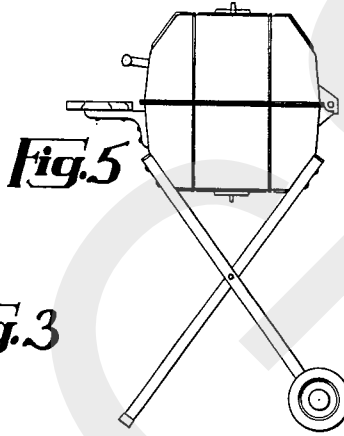
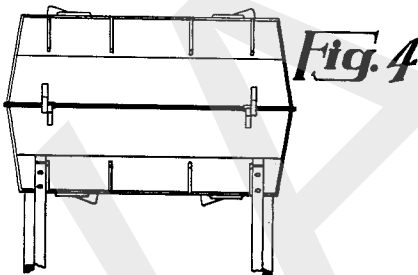
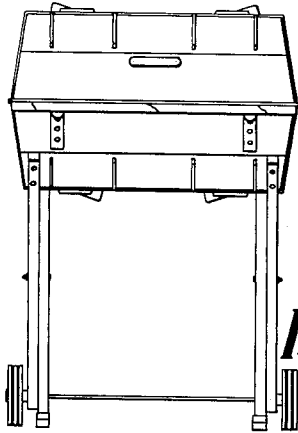
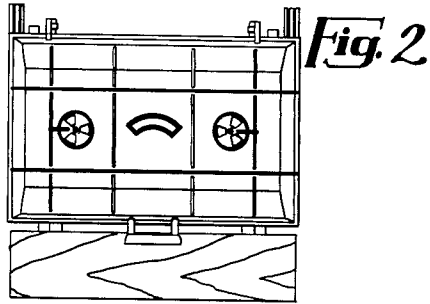


FIG. 1 is a perspective view of the outdoor cooker;
 FIG. 2 is a top plan view of the outdoor cooker;
 FIG. 3 is a front elevational view of the outdoor cooker;

FIG. 4 is a rear view of the outdoor cooker, the supports being fragmentarily shown for convenience of illustration; and

FIG. 5 is an end elevational view showing the opposite end of the outdoor cooker from that shown in FIG. 1.

I claim:

The ornamental design for an outdoor cooker, as shown and described.

References Cited by the Examiner

Hardware Age, February 8, 1962, p. 18, outdoor grille No. 91 at top.

Home Furnishings Daily, Friday, Jan. 19, 1962, p. 14, Strand Corporation outdoor cooker.

WALLACE R. BURKE, *Primary Examiner*.

J. PAUL GUERTIN, *Assistant Examiner*.