

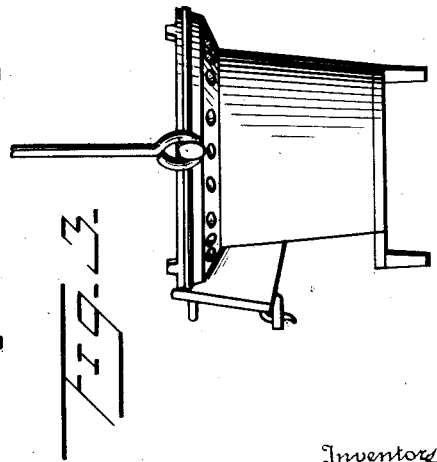
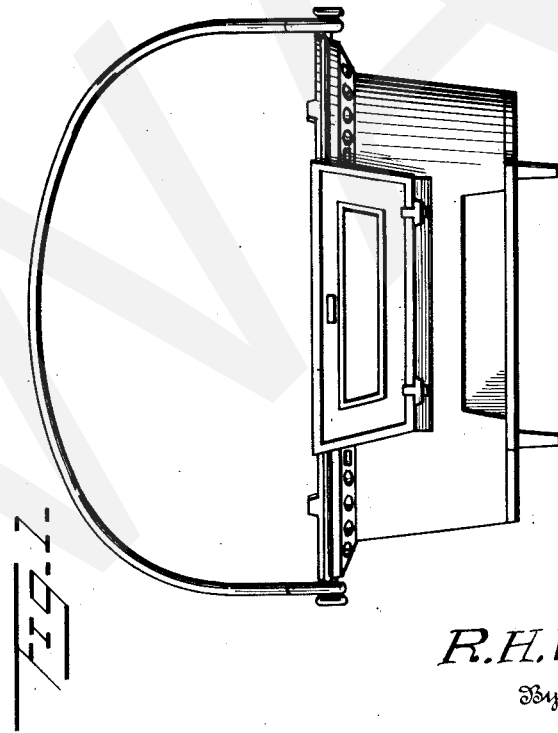
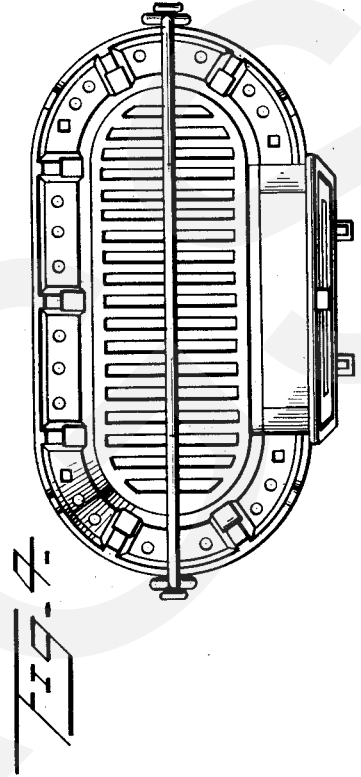
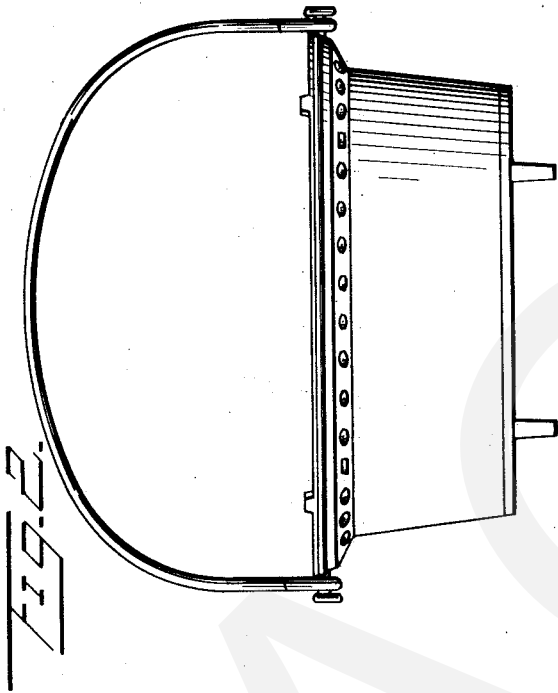
Feb. 25, 1941.

B. JONES, JR., ET AL

Des. 125,446

PORTABLE STOVE

Filed Dec. 2, 1940



Inventors  
*Bolling Jones, Jr.,  
R.H. White, Lynt White*

By *Kimmel & Crowell*  
Attorneys

# UNITED STATES PATENT OFFICE

125,446

## DESIGN FOR A PORTABLE STOVE

**Bolling Jones, Jr., Robert H. White, and Lynt White, Atlanta, Ga., assignors to Atlanta Stove Works, Atlanta, Ga.**

Application December 2, 1940, Serial No. 97,010

Term of patent 14 years

*To all whom it may concern:*

Be it known that we, Bolling Jones, Jr., Robert H. White, and Lynt White, citizens of the United States of America, residing at Atlanta, in the county of Fulton and State of Georgia, have invented a new, original, and ornamental Design for a Portable Stove, of which the following is a specification, reference being had to the accompanying drawing, forming a part thereof.

In the drawing,

Figure 1 is a front elevation of a portable stove showing our new design.

Figure 2 is a rear elevational view of the same.  
Figure 3 is an end elevational view of the same.  
Figure 4 is a top plan view of the same.

We claim:

The ornamental design for a portable stove, as shown.

**BOLLING JONES, JR.  
ROBERT H. WHITE.  
LYNT WHITE.**