

Feb. 25, 1941.

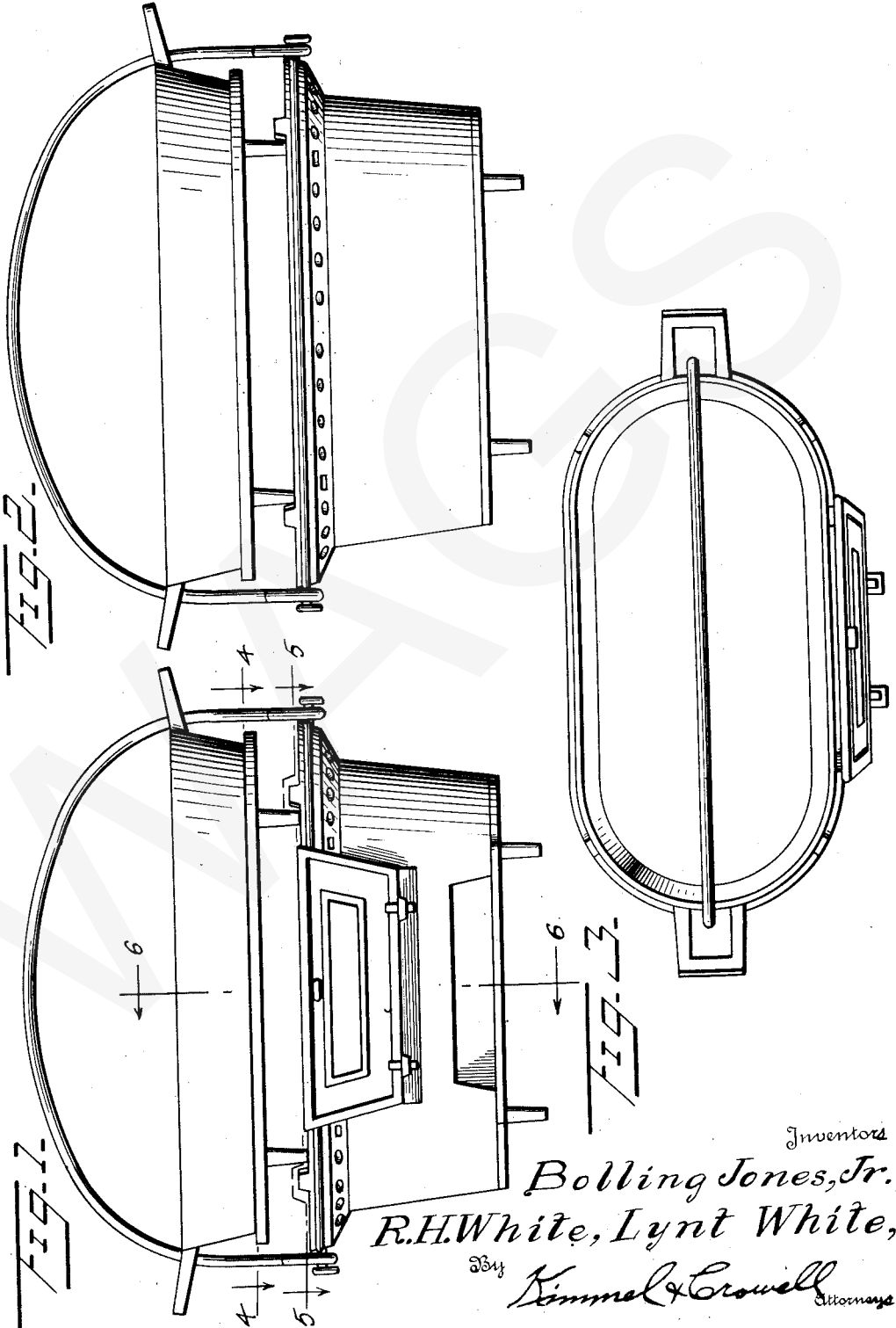
B. JONES, JR., ET AL

Des. 125,447

COMBINED PORTABLE STOVE AND COOKING PAN

Filed Dec. 2, 1940

2 Sheets-Sheet 1



Feb. 25, 1941.

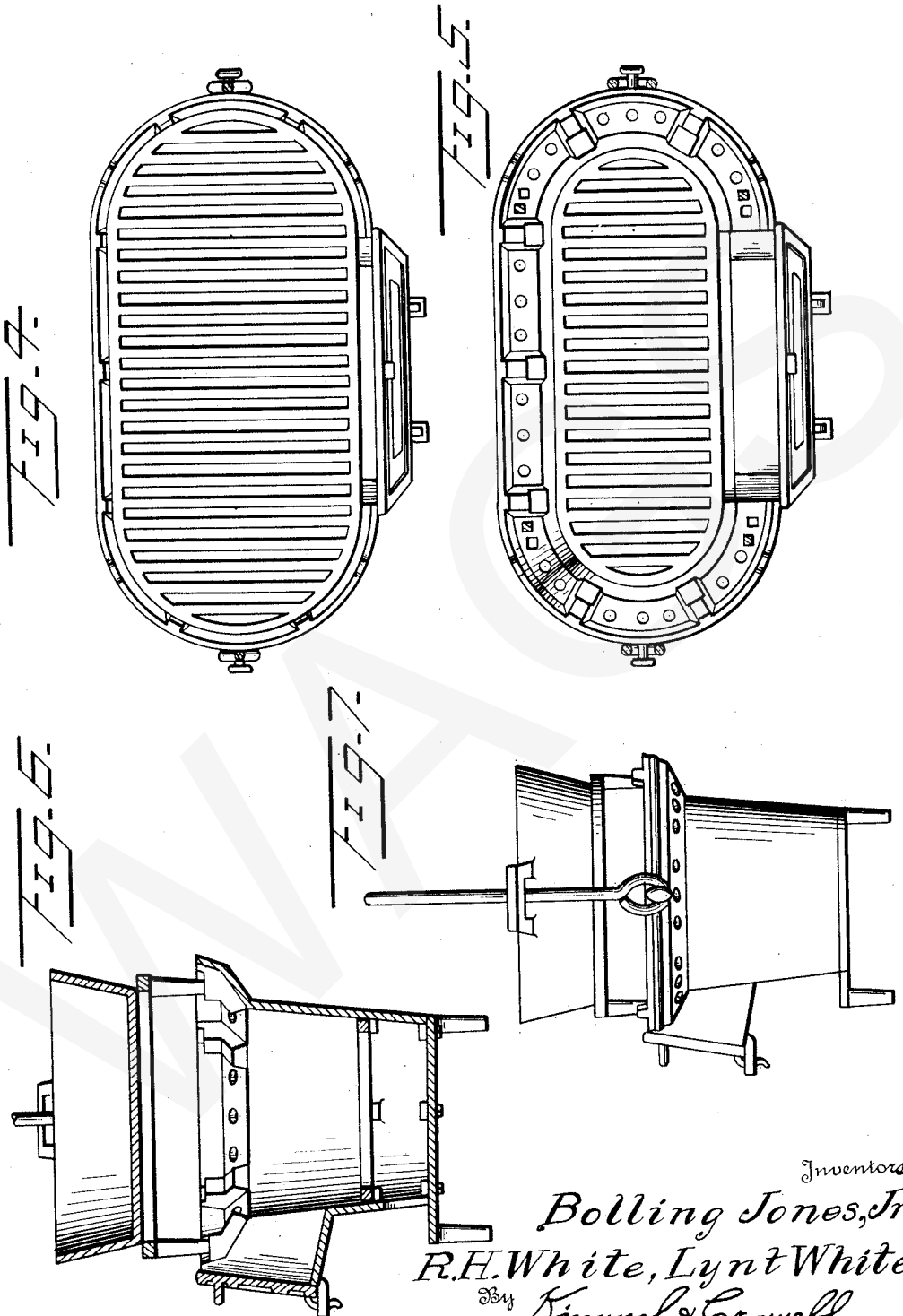
B. JONES, JR., ET AL

Des. 125,447

COMBINED PORTABLE STOVE AND COOKING PAN

Filed Dec. 2, 1940

2 Sheets-Sheet 2



Inventors
Bolling Jones, Jr.
R.H. White, Lynt White
BY *Kimmel & Crowell*
Attorneys

UNITED STATES PATENT OFFICE

125,447

DESIGN FOR A COMBINED PORTABLE STOVE AND COOKING PAN

Bolling Jones, Jr., Robert H. White, and Lynt
White, Atlanta, Ga., assignors to Atlanta Stove
Works, Atlanta, Ga.

Application December 2, 1940, Serial No. 97,011

Term of patent 14 years

To all whom it may concern:

Be it known that we, Bolling Jones, Jr., Robert H. White, and Lynt White, citizens of the United States of America, residing at Atlanta, in the county of Fulton and State of Georgia, have invented a new, original, and ornamental Design for a Combined Portable Stove and Cooking Pan, of which the following is a specification, reference being had to the accompanying drawings, forming a part thereof.

In the drawings:

Figure 1 is a front elevational view of a combined portable stove and cooking pan showing our new design.

Figure 2 is a rear elevational view of the same.

Figure 3 is a top plan view of the same.

Figure 4 is a sectional view taken on the line 4—4 of Figure 1.

Figure 5 is a sectional view taken on the line 5—5 of Figure 1.

Figure 6 is a sectional view taken on the line 6—6 of Figure 1.

Figure 7 is an end elevational view of the design.

We claim:

The ornamental design for a combined portable stove and cooking pan, as shown.

BOLLING JONES, JR.
ROBERT H. WHITE.
LYNT WHITE.